



DEEP CYCLE-SOLAR SERIES 5000

BATTERY TYPE VOLTS 12 **12 CS 11PS**

DIMENSIONS

LENGTH 559 MM 22 INCHES
 WIDTH 286 MM 11 1/4 INCHES
 HEIGHT 464 MM 18 1/4 INCHES

WEIGHT DRY 100 KG 220 LBS.
WEIGHT WET 124 KG 272 LBS.

CONTAINER CONSTRUCTION

INNER CONTAINER POLYPROPYLENE
 INNER COVER POLYPROPYLENE - HEAT SEALED TO INNER CONTAINER
 OUTER CONTAINER HIGH DENSITY POLYETHYLENE
 OUTER COVER HIGH DENSITY POLYETHYLENE SNAP FIT TO CONTAINER
 HANDLES MOLDED

PLATES PER CELL 11

ELECTROLYTE RESERVE ABOVE PLATES 95 MM 3.75 INCHES

DESIGN CRITREA 10 YEAR WARRANTY 3300 CYCLES 15 YEAR LIFE

POSITIVE PLATE DIMENSION

HEIGHT 273 MM 10.750 INCHES
 WIDTH 143 MM 5.625 INCHES
 THICKNESS 6.73 MM 0.265 INCHES

NEGATIVE PLATE DIMENSION

HEIGHT 273 MM 10.750 INCHES
 WIDTH 143 MM 5.625 INCHES
 THICKNESS 4.70 MM 0.185 INCHES

SEPARATOR INSULATION SEPARATOR THICKNESS 0.105 INCH
 POSITIVE PLATE ENVELOPED BY VERTICAL SLYVER GLASS MAT

TERMINALS FLAG WITH STAINLESS STEEL NUTS AND BOLTS

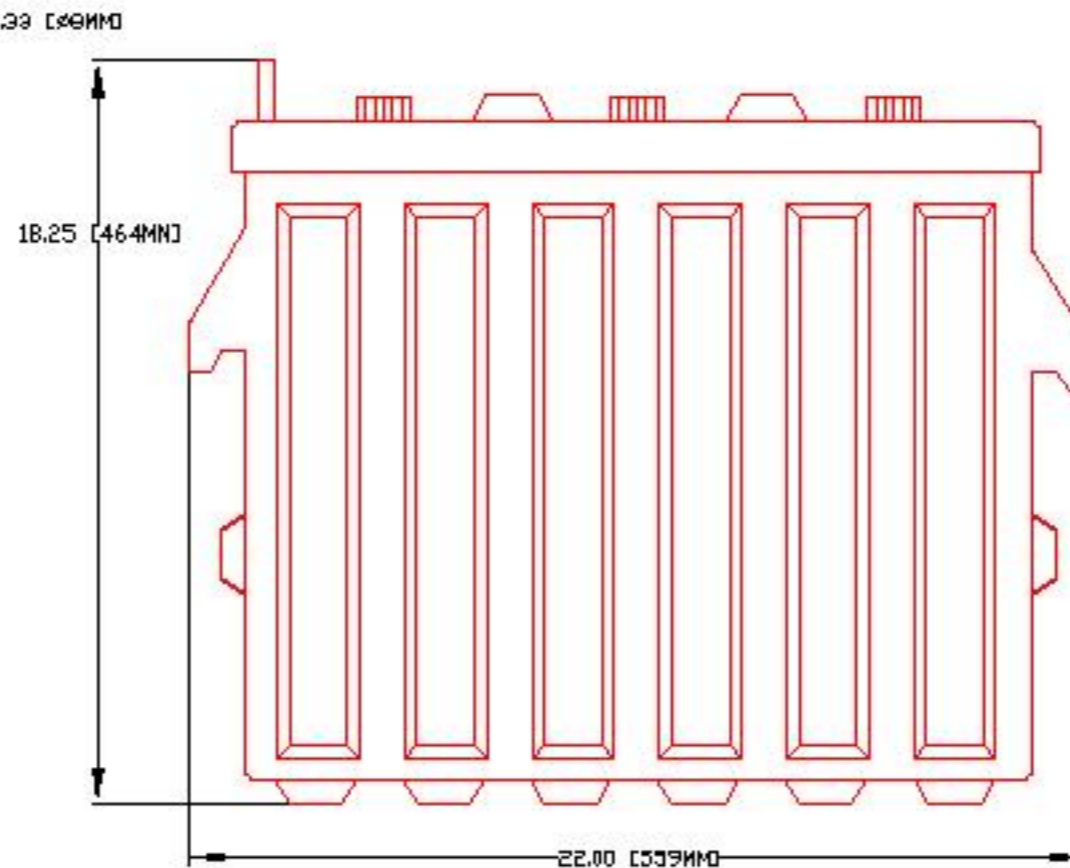
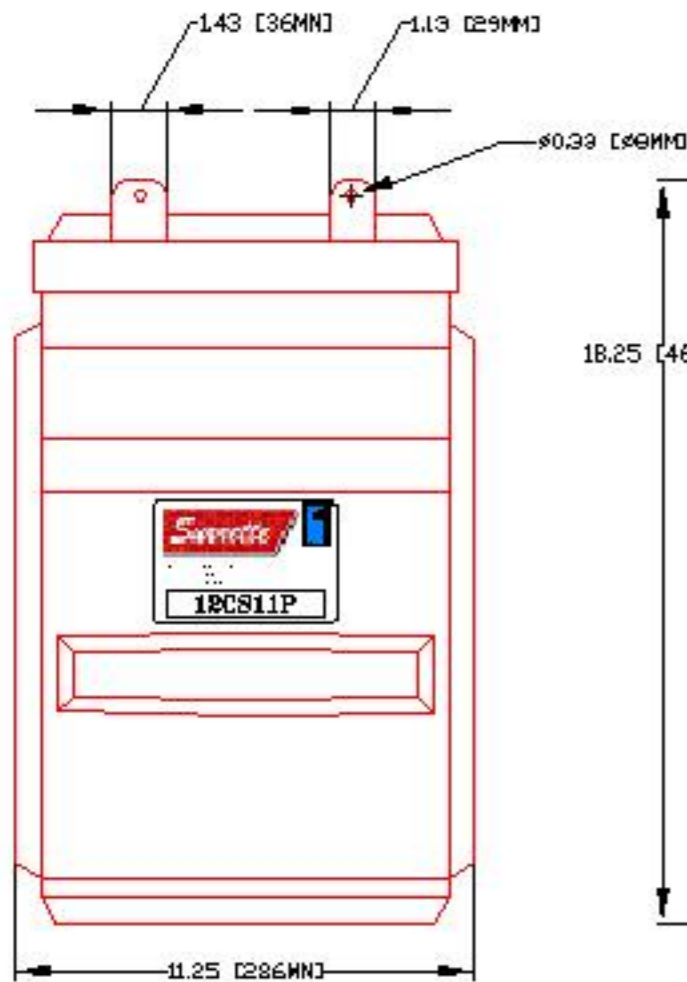
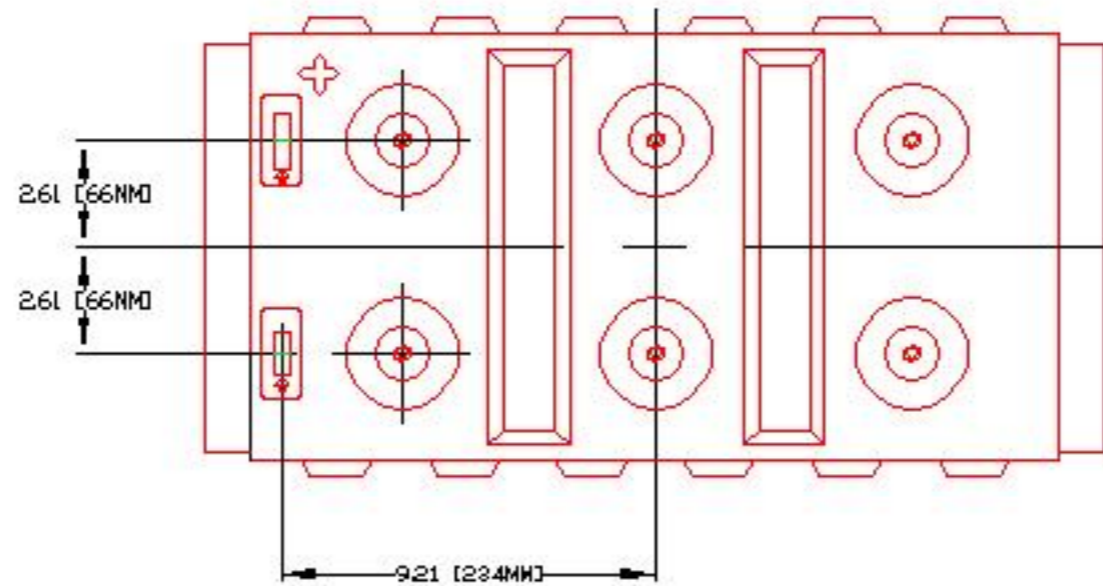
COLD CRANK CCA 0°F / -17.8°C 845 **RESERVE** 677
 MCA 32°F / 0°C 1056 **MINUTES AT 25A**

CAPACITY 20 HR RATE 357

		CAP / AH	CURRENT / AMPS
CAPACITY AT THE 100 HOUR RATE	1.265 SP. GR.	503	5.03
CAPACITY AT THE 72 HOUR RATE	1.265 SP. GR.	475	6.59
CAPACITY AT THE 50 HOUR RATE	1.265 SP. GR.	439	8.78
CAPACITY AT THE 24 HOUR RATE	1.265 SP. GR.	371	15.5
CAPACITY AT THE 20 HOUR RATE	1.265 SP. GR.	357	17.9
CAPACITY AT THE 15 HOUR RATE	1.265 SP. GR.	332	22.1
CAPACITY AT THE 12 HOUR RATE	1.265 SP. GR.	311	25.9
CAPACITY AT THE 10 HOUR RATE	1.265 SP. GR.	296	29.6
CAPACITY AT THE 8 HOUR RATE	1.265 SP. GR.	278	34.8
CAPACITY AT THE 6 HOUR RATE	1.265 SP. GR.	253	42.2
CAPACITY AT THE 5 HOUR RATE	1.265 SP. GR.	239	48
CAPACITY AT THE 4 HOUR RATE	1.265 SP. GR.	221	55
CAPACITY AT THE 3 HOUR RATE	1.265 SP. GR.	200	67
CAPACITY AT THE 2 HOUR RATE	1.265 SP. GR.	171	86
CAPACITY AT THE 1 HOUR RATE	1.265 SP. GR.	121	121



SURRETTE BATTERY CO. LTD.



PART NUMBER: 12-CS-11P
 WEIGHT WET: 272 LB/ 124 KG
 WEIGHT DRY: 220 LB/ 100 KG
 CAPACITY: 357 AH 20 HR
 503 AH 100 HR
 VOLTAGE: 12 V
 OVERALL DIMENSIONS: 22X 11 1/4X 18 1/4"



MAX HEIGHT WITH OPTIONAL HYDROCAPS: 18.63" / 473MM



BATTERY COMPANY LIMITED
 SPRINGHILL / NOVA SCOTIA / CANADA
 PRODUCT OF CANADA

TITLE: 12CS11P

DESCRIPTION:
 12V / 6 CELL 11 PLATE (CS) DEEP CYCLE
 500/5000 SERIES

CONTACT INFO:
 WEB: WWW.SURRETTE.COM
 E-MAIL: SALES@SURRETTE.COM
 PHONE: 1-800-681-9914

SCALE: 1" = 6" 1" = 4" JPEG NOT TO SCALE
 8.5" X 11" 11" X 17"

Drawn by: S. WILES Approved By: D. SURRETTE

DATE: 16-Feb-01 REVISION 1.1

DRAWING NO.: DWG 018, BD12CS11P