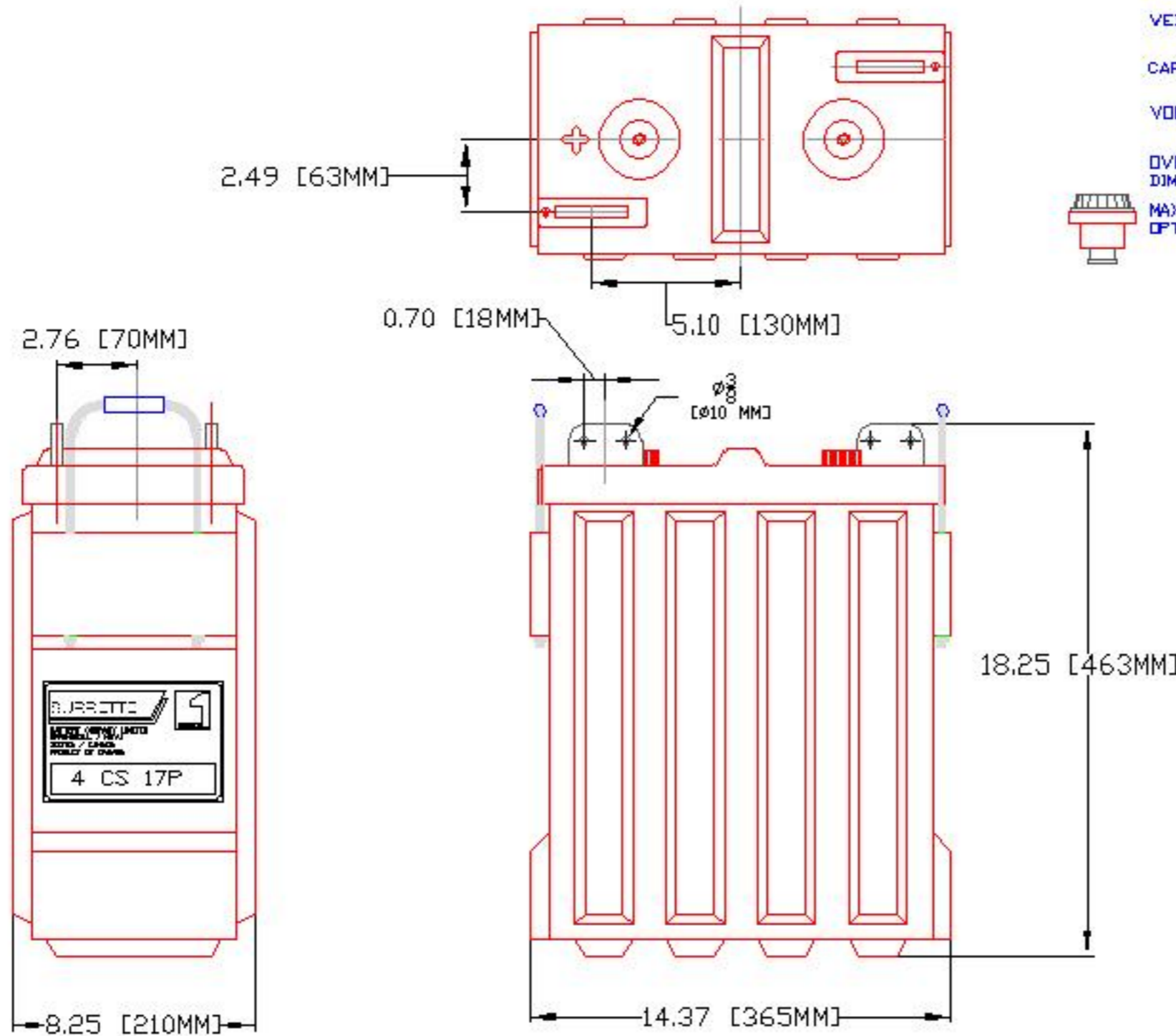




DEEP CYCLE-SOLAR SERIES 5000

BATTERY TYPE	VOLTS	4	4 CS 17PS
DIMENSIONS			
LENGTH	365 MM	14 3/8	INCHES
WIDTH	210 MM	8 1/4	INCHES
HEIGHT	464 MM	18 1/4	INCHES
WEIGHT DRY	45 KG	98	LBS.
WEIGHT WET	58 KG	128	LBS.
CONTAINER CONSTRUCTION			
INNER CONTAINER	POLYPROPYLENE		
INNER COVER	POLYPROPYLENE - HEAT SEALED TO INNER CONTAINER		
OUTER CONTAINER	HIGH DENSITY POLYETHYLENE		
OUTER COVER	HIGH DENSITY POLYETHYLENE SNAP FIT TO OUTER CONTAINER		
HANDLES	ROPE		
PLATES PER CELL	17		
ELECTROLYTE RESERVE	ABOVE PLATES	95 MM	3.75 INCHES
DESIGN CRITREA	10 YEAR WARRANTY	3300 CYCLES	15 YEAR LIFE
POSITIVE PLATE DIMENSION			
HEIGHT	273 MM	10.75	INCHES
WIDTH	143 MM	5.625	INCHES
THICKNESS	6.73 MM	0.265	INCHES
NEGATIVE PLATE DIMENSION			
HEIGHT	273 MM	10.75	INCHES
WIDTH	143 MM	5.625	INCHES
THICKNESS	4.70 MM	0.185	INCHES
SEPARATOR	SEPARATOR THICKNESS	0.105	INCH
INSULATION	POSITIVE PLATE DOUBLE WRAPPED WITH 0.020 SLYVER HEAVY GLASS MAT		
TERMINALS	FLAG WITH STAINLESS STEEL NUTS AND BOLTS		
COLD CRANK	CCA	0°F / -17.8°C	1689
	MCA	32°F / 0°C	2111
	RESERVE		1083
	MINUTES AT 25A		
CAPACITY	20 HR RATE	546	
		CAP / AH	CURRENT / AMPS
CAPACITY AT THE 100 HOUR RATE	1.265 SP. GR.	770	7.70
CAPACITY AT THE 72 HOUR RATE	1.265 SP. GR.	726	10.09
CAPACITY AT THE 50 HOUR RATE	1.265 SP. GR.	672	13.43
CAPACITY AT THE 24 HOUR RATE	1.265 SP. GR.	603	25.1
CAPACITY AT THE 20 HOUR RATE	1.265 SP. GR.	546	27.3
CAPACITY AT THE 15 HOUR RATE	1.265 SP. GR.	508	33.9
CAPACITY AT THE 12 HOUR RATE	1.265 SP. GR.	475	39.6
CAPACITY AT THE 10 HOUR RATE	1.265 SP. GR.	453	45.3
CAPACITY AT THE 8 HOUR RATE	1.265 SP. GR.	426	53.2
CAPACITY AT THE 6 HOUR RATE	1.265 SP. GR.	388	64.6
CAPACITY AT THE 5 HOUR RATE	1.265 SP. GR.	366	73
CAPACITY AT THE 4 HOUR RATE	1.265 SP. GR.	339	85
CAPACITY AT THE 3 HOUR RATE	1.265 SP. GR.	306	102
CAPACITY AT THE 2 HOUR RATE	1.265 SP. GR.	262	131
CAPACITY AT THE 1 HOUR RATE	1.265 SP. GR.	186	186

PART NUMBER: 4-CS-17P
 WEIGHT WET: 128 LB / 58 KG
 WEIGHT DRY: 98 LB / 44 KG
 CAPACITY: 546 AH 20 HR
 770 AH 100 HR
 VOLTAGE: 4 V
 OVERALL DIMENSIONS: 14 3/8 X 8 1/4 X 18 1/4"
 MAX HEIGHT WITH OPTIONAL HYDROCAPS 18.63" / 473MM



Surrette	
COMPANY LTD. SPRINGHILL, NOVA SCOTIA, CANADA	
TITLE: 4CS17P	
DESCRIPTION: 4V / 2 CELL 17 PLATE (CS) DEEP CYCLE 500/5000 SERIES	
CONTACT INFO: WEB: WWW.SURRETTE.COM E-MAIL: SALES@SURRETTE.COM PHONE: 1-800-681-9914	
SCALE: 1" = 6" 1" = 4" JPEG 8 1/2" X 11" 11" X 17" NOT TO SCALE	
Drawn by: S. WILES	Approved By: D. SURRETTE
DATE: 1-AUG-00	REVISION 2.1
DRAWING NO.: DWG 024, BD4CS17P	