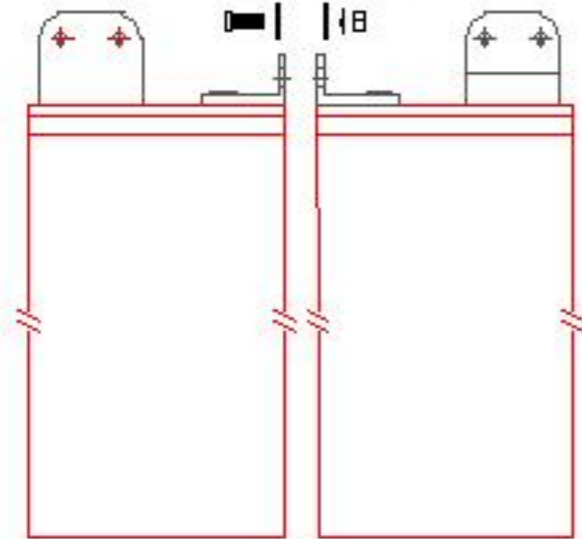




# DEEP CYCLE-SOLAR SERIES 5000

<b>BATTERY TYPE</b>	<b>VOLTS</b>	<b>4</b>	<b>4 KS 21PS</b>	
<b>DIMENSIONS</b>				
LENGTH	400 MM	15 3/4	INCHES	
WIDTH	238 MM	9 3/8	INCHES	
HEIGHT	629 MM	24 3/4	INCHES	
<b>WEIGHT DRY</b>	98 KG	216	LBS.	
<b>WEIGHT WET</b>	121 KG	267	LBS.	
<b>CONTAINER CONSTRUCTION</b>				
INNER CONTAINER	POLYPROPYLENE			
INNER COVER	POLYPROPYLENE - HEAT SEALED TO INNER CONTAINER			
OUTER CONTAINER	HIGH DENSITY POLYETHYLENE			
OUTER COVER	HIGH DENSITY POLYETHYLENE SNAP FIT TO OUTER CONTAINER			
HANDLES	MOLDED			
<b>PLATES PER CELL</b>	21			
<b>ELECTROLYTE RESERVE</b>	ABOVE PLATES	95 MM	3.75	INCHES
<b>DESIGN CRITREA</b>	10 YEAR WARRANTY	3300	CYCLES	15 YEAR LIFE
<b>POSITIVE PLATE DIMENSION</b>				
HEIGHT	432 MM	17.0	INCHES	
WIDTH	143 MM	5.625	INCHES	
THICKNESS	6.99 MM	0.275	INCHES	
<b>NEGATIVE PLATE DIMENSION</b>				
HEIGHT	432 MM	17.0	INCHES	
WIDTH	143 MM	5.625	INCHES	
THICKNESS	4.57 MM	0.180	INCHES	
<b>SEPARATOR</b>	SEPARATOR THICKNESS	0.105 INCH		
<b>INSULATION</b>	POSITIVE PLATE DOUBLE WRAPPED WITH SLYVER 0.020 HEAVY GLASS MAT AND ENVELOPED WITH HEAVY DUTY SEPARATOR			
<b>TERMINALS</b>	FLAG WITH STAINLESS STEEL NUTS AND BOLTS			
<b>COLD CRANK</b>	CCA	0°F / -17.8°C	3095	<b>RESERVE</b>
	MCA	32°F / 0°C	3869	<b>MINUTES AT 25A</b>
				3575
<b>CAPACITY</b>	20 HR RATE	1104	<b>CAP / AH</b>	<b>CURRENT / AMPS</b>
CAPACITY AT THE 100 HOUR RATE	1.265 SP. GR.	1557	15.57	
CAPACITY AT THE 72 HOUR RATE	1.265 SP. GR.	1468	20.39	
CAPACITY AT THE 50 HOUR RATE	1.265 SP. GR.	1358	27.16	
CAPACITY AT THE 24 HOUR RATE	1.265 SP. GR.	1148	47.8	
<b>CAPACITY AT THE 20 HOUR RATE</b>	<b>1.265 SP. GR.</b>	<b>1104</b>	<b>55.2</b>	
CAPACITY AT THE 15 HOUR RATE	1.265 SP. GR.	1027	68.4	
CAPACITY AT THE 12 HOUR RATE	1.265 SP. GR.	960	80.0	
CAPACITY AT THE 10 HOUR RATE	1.265 SP. GR.	916	91.6	
CAPACITY AT THE 8 HOUR RATE	1.265 SP. GR.	861	107.6	
CAPACITY AT THE 6 HOUR RATE	1.265 SP. GR.	784	130.6	
CAPACITY AT THE 5 HOUR RATE	1.265 SP. GR.	740	148	
CAPACITY AT THE 4 HOUR RATE	1.265 SP. GR.	684	171	
CAPACITY AT THE 3 HOUR RATE	1.265 SP. GR.	618	206	
CAPACITY AT THE 2 HOUR RATE	1.265 SP. GR.	530	265	
CAPACITY AT THE 1 HOUR RATE	1.265 SP. GR.	375	375	

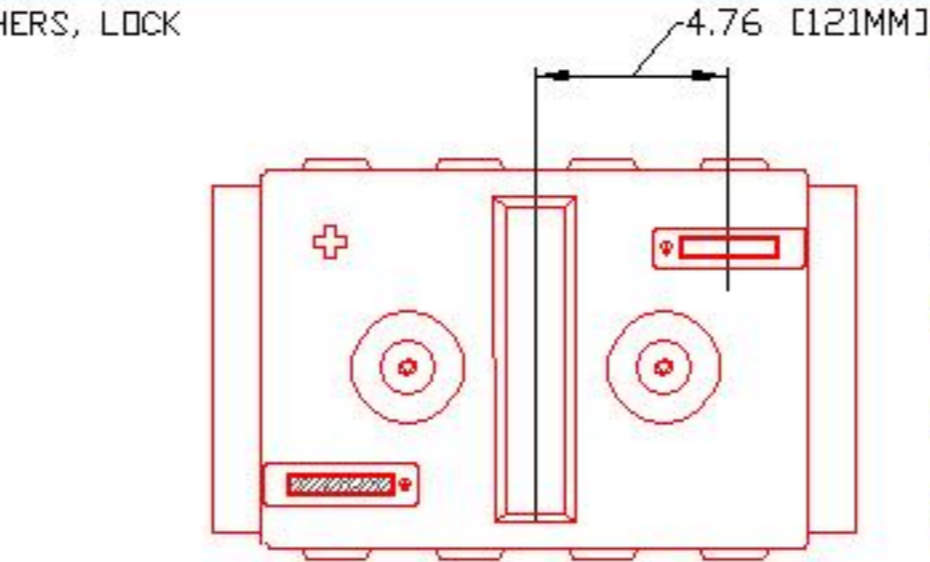
BOLT-ON CONNECTOR 2 X 316 SS NUT, WASHERS, LOCK WASHER AND BOLT



2.90 [74MM]



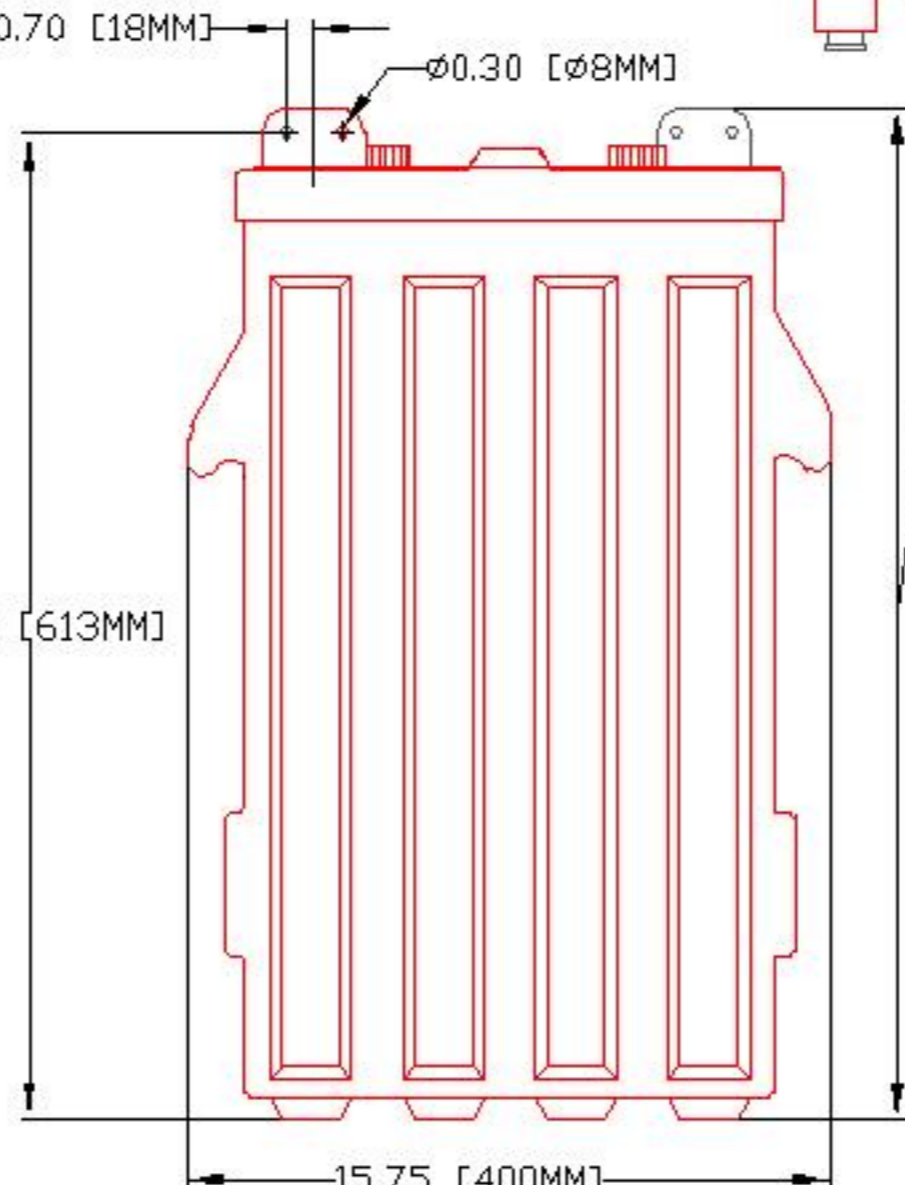
9.38 [238MM]



4.76 [121MM]

0.70 [18MM]

Ø0.30 [Ø8MM]



24.15 [613MM]

15.75 [400MM]

PART NUMBER:

4-KS-21P

WEIGHT WET:

267 LB / 121 KG

WEIGHT DRY:

186 LB / 84 KG

CAPACITY:

1,104 AH 20 HR  
1,557 AH 100 HR

VOLTAGE:

4 V

OVERALL DIMENSIONS:

15.75X9 3/8X24.75"

MAX HEIGHT WITH OPTIONAL HYDROCAPS

25.13" / 638 MM



BATTERY COMPANY LIMITED  
SPRINGBROOK, ONTARIO, CANADA  
PRODUCT OF CANADA

TITLE:

4KS21P

DESCRIPTION:

4V / 2 CELL 21 PLATE (KS) DEEP CYCLE  
500/5000 SERIES

CONTACT INFO:

WEB: WWW.SURRETTE.COM  
E-MAIL: SALES@SURRETTE.COM  
PHONE: 1-800-681-9914

SCALE: 1" = 6" 1" = 4" JFEB  
8.5" X 11" 11" X 17" NOT TO SCALE

Drawn by:

S. WILES

Approved By:

D. SURRETTE

DATE:

14-JUN-00

REVISION 2.1

DRAWING NO.:

DWG 002, BD4KS21P