



DEEP CYCLE-SOLAR SERIES 5000

BATTERY TYPE VOLTS 6 **6 CS 17PS**

DIMENSIONS

LENGTH	559 MM	22	INCHES
WIDTH	210 MM	8 1/4	INCHES
HEIGHT	464 MM	18 1/4	INCHES

WEIGHT DRY	81 KG	178	LBS.
WEIGHT WET	100 KG	221	LBS.

CONTAINER CONSTRUCTION

INNER CONTAINER	POLYPROPYLENE
INNER COVER	POLYPROPYLENE - HEAT SEALED TO INNER CONTAINER
OUTER CONTAINER	HIGH DENSITY POLYETHYLENE
OUTER COVER	HIGH DENSITY POLYETHYLENE SNAP FIT TO OUTER CONTAINER
HANDLES	MOLDED

PLATES PER CELL 17

ELECTROLYTE RESERVE ABOVE PLATES 95 MM 3.75 INCHES

DESIGN CRITREA 10 YEAR WARRANTY 3300 CYCLES 15 YEAR LIFE

POSITIVE PLATE DIMENSION

HEIGHT	273 MM	10.750	INCHES
WIDTH	143 MM	5.625	INCHES
THICKNESS	6.73 MM	0.265	INCHES

NEGATIVE PLATE DIMENSION

HEIGHT	273 MM	10.750	INCHES
WIDTH	143 MM	5.625	INCHES
THICKNESS	4.70 MM	0.185	INCHES

SEPARATOR SEPARATOR THICKNESS 0.105 INCH

INSULATION POSITIVE PLATE ENVELOPED BY VERTICAL SLYVER GLASS MAT

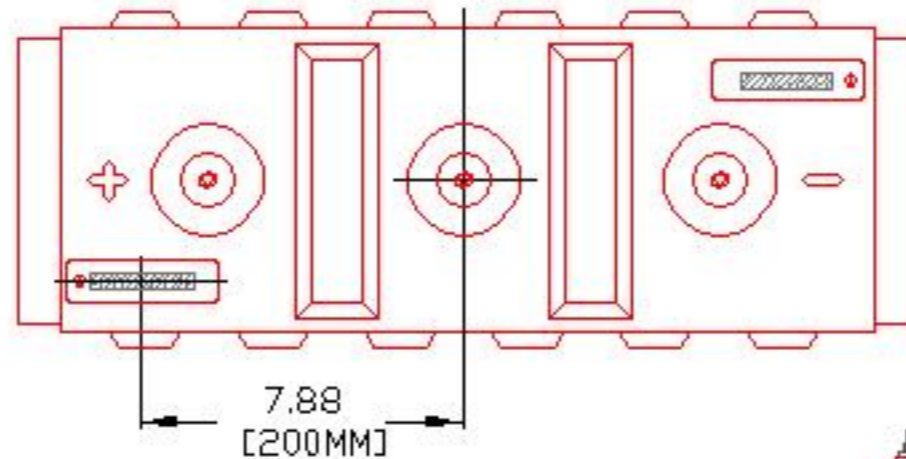
TERMINALS FLAG WITH STAINLESS STEEL NUTS AND BOLTS

COLD CRANK	CCA	0°F / -17.8°C	1357	RESERVE	1083
	MCA	32°F / 0°C	1696	MINUTES AT 25A	

CAPACITY	20 HR RATE	546	CAP / AH	CURRENT / AMPS
CAPACITY AT THE 100 HOUR RATE	1.265 SP. GR.	770	7.70	
CAPACITY AT THE 72 HOUR RATE	1.265 SP. GR.	726	10.09	
CAPACITY AT THE 50 HOUR RATE	1.265 SP. GR.	672	13.43	
CAPACITY AT THE 24 HOUR RATE	1.265 SP. GR.	568	23.7	
CAPACITY AT THE 20 HOUR RATE	1.265 SP. GR.	546	27.3	
CAPACITY AT THE 15 HOUR RATE	1.265 SP. GR.	508	33.9	
CAPACITY AT THE 12 HOUR RATE	1.265 SP. GR.	475	39.6	
CAPACITY AT THE 10 HOUR RATE	1.265 SP. GR.	453	45.3	
CAPACITY AT THE 8 HOUR RATE	1.265 SP. GR.	426	53.2	
CAPACITY AT THE 6 HOUR RATE	1.265 SP. GR.	388	64.6	
CAPACITY AT THE 5 HOUR RATE	1.265 SP. GR.	366	73	
CAPACITY AT THE 4 HOUR RATE	1.265 SP. GR.	339	85	
CAPACITY AT THE 3 HOUR RATE	1.265 SP. GR.	306	102	
CAPACITY AT THE 2 HOUR RATE	1.265 SP. GR.	262	131	
CAPACITY AT THE 1 HOUR RATE	1.265 SP. GR.	186	186	



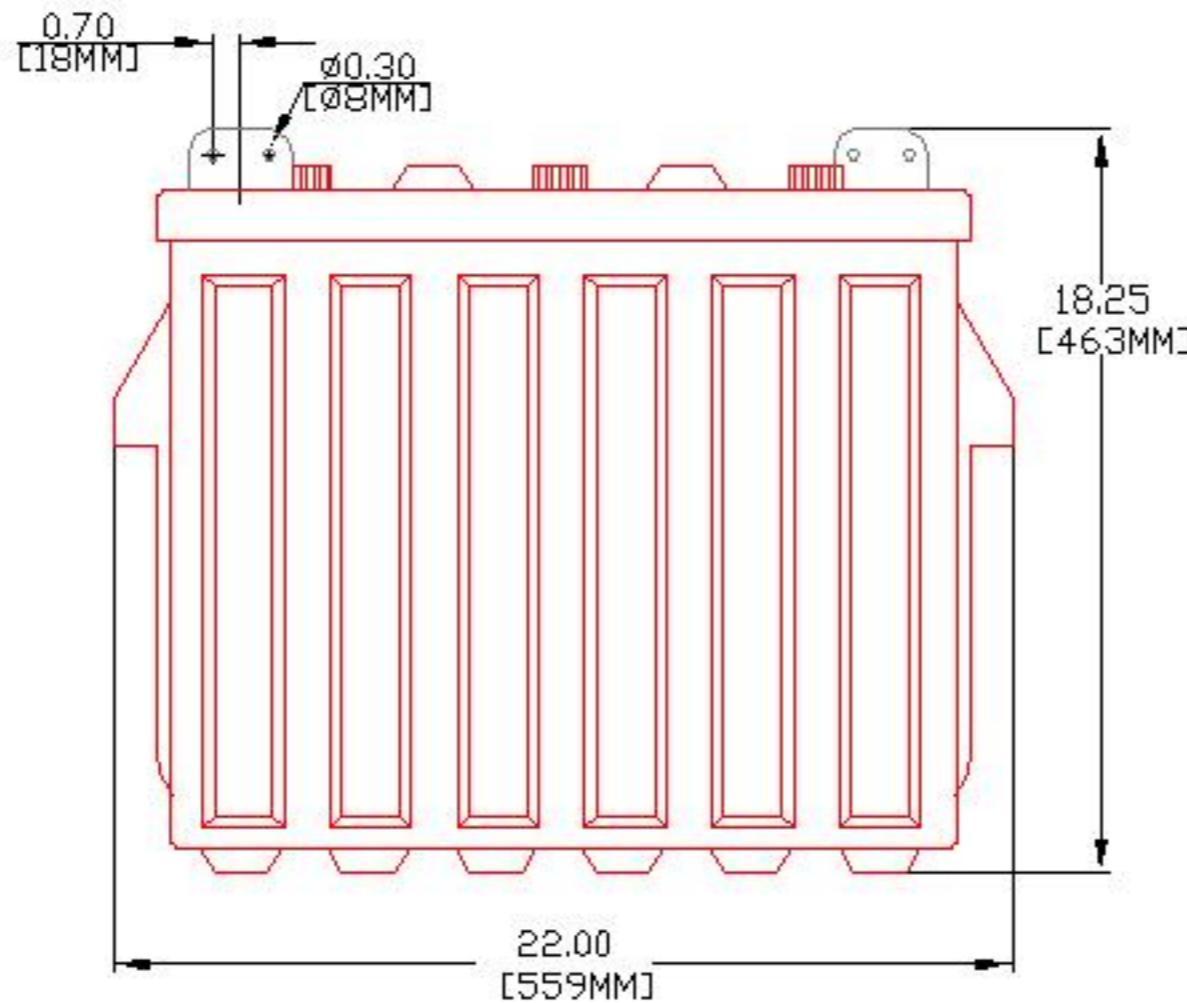
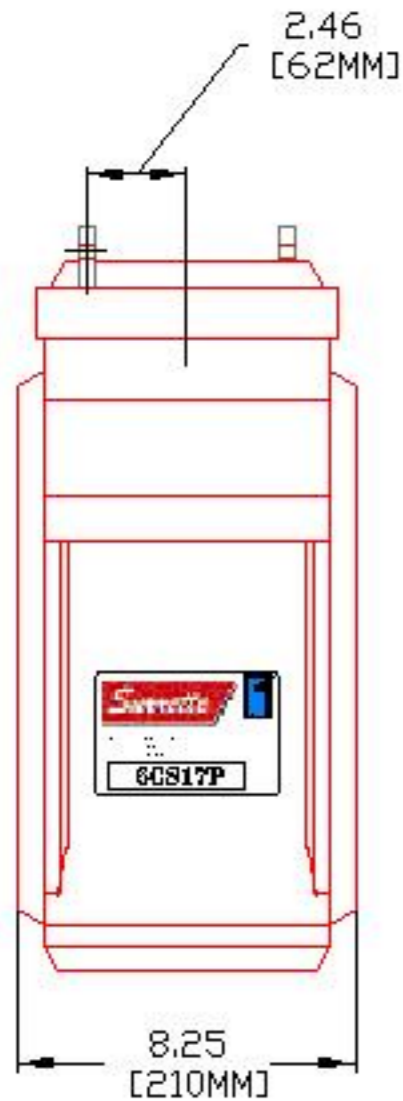
SURRETTE BATTERY CO. LTD.



PART NUMBER: 6-CS-17P
 WEIGHT WET: 221 LB / 100 KG
 WEIGHT DRY: 178 LB / 81 KG
 CAPACITY: 546 AH 20 HR
 770 AH 100 HR
 VOLTAGE: 6 V
 OVERALL DIMENSIONS: 22X8 1/4X18 1/4"



MAX HEIGHT WITH OPTIONAL HYDROCAPS: 18 5/8" - 473 MM



Surrette	
BATTERY COMPANY LIMITED SPRINGHILL / NOVA SCOTIA / CANADA PRODUCT OF CANADA	
TITLE: 6CS17P	
DESCRIPTION: 6V / 3 CELL 17 PLATE (CS) DEEP CYCLE 500/5000 SERIES	
CONTACT INFO: WEB: WWW.SURRETTE.COM E-MAIL: SALES@SURRETTE.COM PHONE: 1-800-681-9914	
SCALE: 1" = 6" 1" = 4" JPEG 8.5" X 11" 11" X 17" NOT TO SCALE	
Drawn by: S. WILES	Approved By: D. SURRETTE
DATE: 14-JUN-00 REVISION 2.1	
DRAWING NO: DWG 005, BD6CS17P	