



# DEEP CYCLE-SOLAR SERIES 5000

**BATTERY TYPE** VOLTS 6 **6 CS 21PS**

**DIMENSIONS**

LENGTH 559 MM 22 INCHES  
 WIDTH 248 MM 9 3/4 INCHES  
 HEIGHT 464 MM 18 1/4 INCHES

**WEIGHT DRY** 99 KG 217 LBS.  
**WEIGHT WET** 123 KG 271 LBS.

**CONTAINER CONSTRUCTION**

INNER CONTAINER POLYPROPYLENE  
 INNER COVER POLYPROPYLENE - HEAT SEALED TO INNER CONTAINER  
 OUTER CONTAINER HIGH DENSITY POLYETHYLENE  
 OUTER COVER HIGH DENSITY POLYETHYLENE SNAP FIT TO OUTER CONTAINER  
 HANDLES MOLDED

**PLATES PER CELL** 21

**ELECTROLYTE RESERVE** ABOVE PLATES 95 MM 3.75 INCHES

**DESIGN CRITREA** 10 YEAR WARRANTY 3300 CYCLES 15 YEAR LIFE

**POSITIVE PLATE DIMENSION**

HEIGHT 273 MM 10.750 INCHES  
 WIDTH 143 MM 5.625 INCHES  
 THICKNESS 6.60 MM 0.260 INCHES

**NEGATIVE PLATE DIMENSION**

HEIGHT 273 MM 10.750 INCHES  
 WIDTH 143 MM 5.625 INCHES  
 THICKNESS 4.57 MM 0.180 INCHES

**SEPARATOR** SEPARATOR THICKNESS 0.105 INCH

**INSULATION** POSITIVE PLATE ENVELOPED BY VERTICAL SLYVER GLASS MAT

**TERMINALS** FLAG WITH STAINLESS STEEL NUTS AND BOLTS

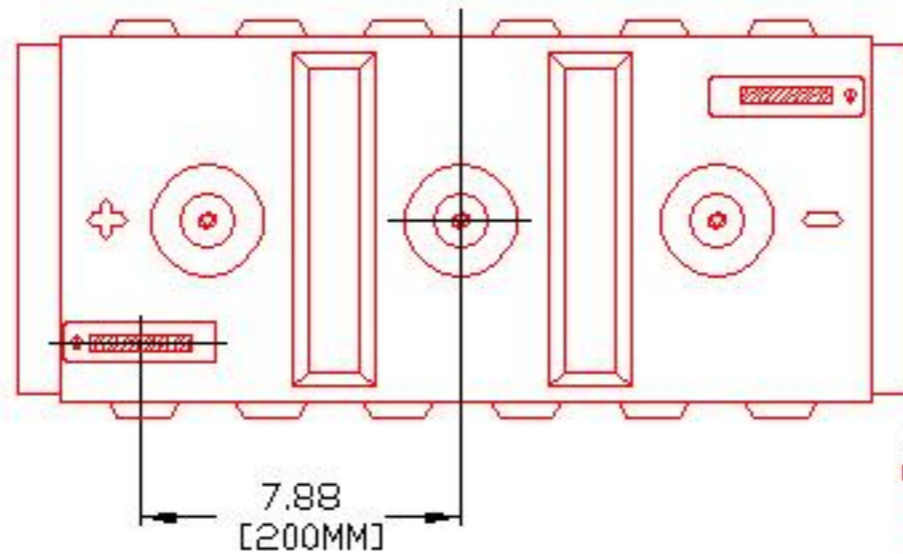
**COLD CRANK** CCA 0°F / -17.8°C 1740 **RESERVE** 1353  
 MCA 32°F / 0°C 2175 **MINUTES AT 25A**

**CAPACITY** 20 HR RATE 683

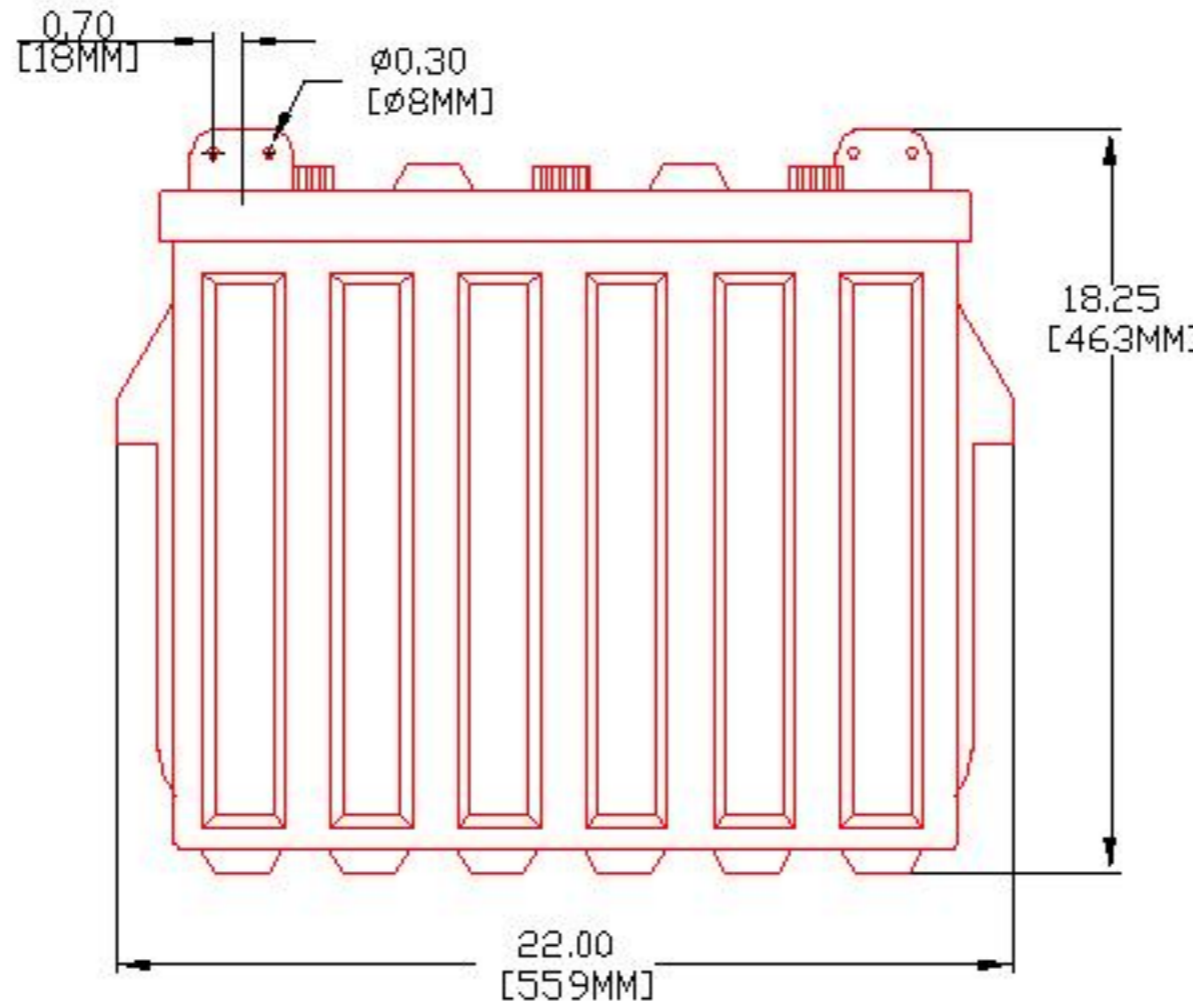
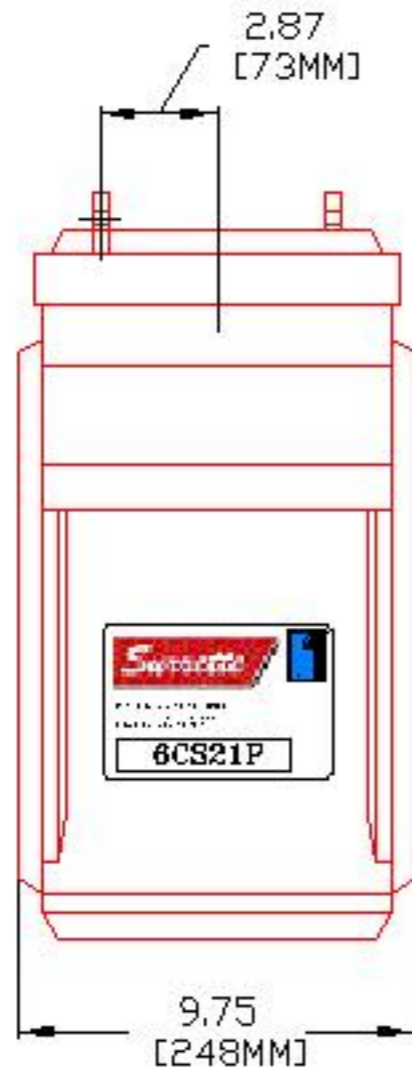
		CAP / AH	CURRENT / AMPS
CAPACITY AT THE 100 HOUR RATE	1.265 SP. GR.	963	9.63
CAPACITY AT THE 72 HOUR RATE	1.265 SP. GR.	908	12.62
CAPACITY AT THE 50 HOUR RATE	1.265 SP. GR.	840	16.80
CAPACITY AT THE 24 HOUR RATE	1.265 SP. GR.	710	29.6
<b>CAPACITY AT THE 20 HOUR RATE</b>	<b>1.265 SP. GR.</b>	<b>683</b>	<b>34.2</b>
CAPACITY AT THE 15 HOUR RATE	1.265 SP. GR.	635	42.3
CAPACITY AT THE 12 HOUR RATE	1.265 SP. GR.	594	49.5
CAPACITY AT THE 10 HOUR RATE	1.265 SP. GR.	567	56.7
CAPACITY AT THE 8 HOUR RATE	1.265 SP. GR.	533	66.6
CAPACITY AT THE 6 HOUR RATE	1.265 SP. GR.	485	80.8
CAPACITY AT THE 5 HOUR RATE	1.265 SP. GR.	458	92
CAPACITY AT THE 4 HOUR RATE	1.265 SP. GR.	423	106
CAPACITY AT THE 3 HOUR RATE	1.265 SP. GR.	382	127
CAPACITY AT THE 2 HOUR RATE	1.265 SP. GR.	328	164
CAPACITY AT THE 1 HOUR RATE	1.265 SP. GR.	232	232



SURRETTE BATTERY CO. LTD.



PART NUMBER: 6-CS-21P  
 WEIGHT WET: 271 LB / 123 KG  
 WEIGHT DRY: 217 LB / 98 KG  
 CAPACITY: 683 AH 20 HR  
 963 AH 100 HR  
 VOLTAGE: 6 V  
 OVERALL DIMENSIONS: 22X9 3/4X18 1/4"  
 MAX HEIGHT WITH OPTIONAL HYDROCAPS: 18 5/8" - 473 MM



BATTERY COMPANY LIMITED  
SPRINGHILL / NOVA SCOTIA / CANADA  
PRODUCT OF CANADA

TITLE: 6CS21P

DESCRIPTION:  
6V / 2 CELL 21 PLATE (CS) DEEP  
CYCLE 500/5000 SERIES

CONTACT INFO:  
WEB: WWW.SURRETTE.COM  
E-MAIL: SALES@SURRETTE.COM  
PHONE: 1-800-681-9914

SCALE: 1" = 5" 1" = 4" JPE  
8.5" X 11" 11" X 17" NOT TO SCALE

Drawn by: S. WILES Approved By: D. SURRETTE

DATE: 14-JUN-00 REVISION 2.1

DRAWING NO.: DWG 006, BD6CS21P