

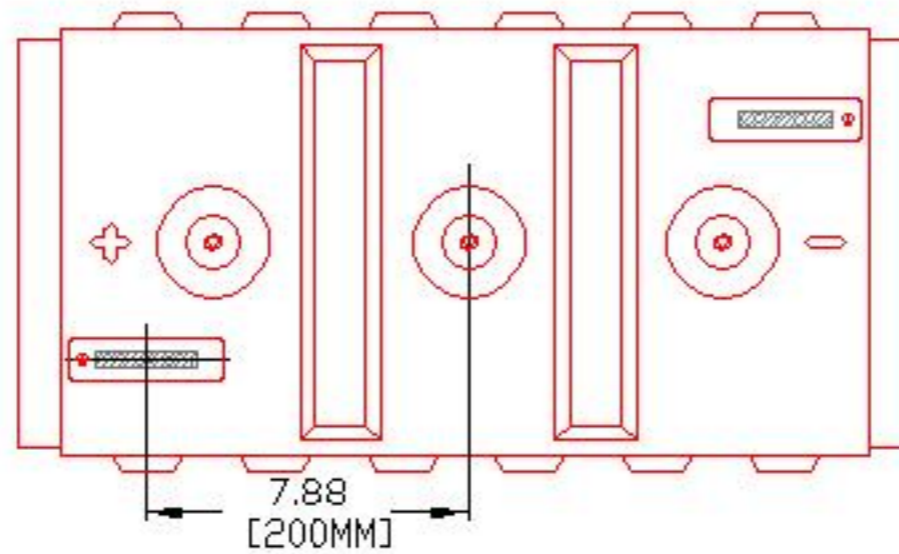


DEEP CYCLE-SOLAR SERIES 5000

BATTERY TYPE	VOLTS	6	6 CS 25PS	
DIMENSIONS				
LENGTH	559 MM	22	INCHES	
WIDTH	286 MM	11 1/4	INCHES	
HEIGHT	464 MM	18 1/4	INCHES	
WEIGHT DRY	115 KG	254	LBS.	
WEIGHT WET	145 KG	318	LBS.	
CONTAINER CONSTRUCTION				
INNER CONTAINER	POLYPROPYLENE			
INNER COVER	POLYPROPYLENE - HEAT SEALED TO INNER CONTAINER			
OUTER CONTAINER	HIGH DENSITY POLYETHYLENE			
OUTER COVER	HIGH DENSITY POLYETHYLENE SNAP FIT TO OUTER CONTAINER			
HANDLES	MOLDED			
PLATES PER CELL	25			
ELECTROLYTE RESERVE	ABOVE PLATES	95 MM	3.75	INCHES
DESIGN CRITREA	10 YEAR WARRANTY	3300 CYCLES	15	YEAR LIFE
POSITIVE PLATE DIMENSION				
HEIGHT	273 MM	10.750	INCHES	
WIDTH	143 MM	5.625	INCHES	
THICKNESS	6.60 MM	0.260	INCHES	
NEGATIVE PLATE DIMENSION				
HEIGHT	273 MM	10.750	INCHES	
WIDTH	143 MM	5.625	INCHES	
THICKNESS	4.57 MM	0.180	INCHES	
SEPARATOR	SEPARATOR THICKNESS	0.105 INCH		
INSULATION	POSITIVE PLATE ENVELOPED BY VERTICAL SLYVER GLASS MAT			
TERMINALS	FLAG WITH STAINLESS STEEL NUTS AND BOLTS			
COLD CRANK	CCA	0°F / -17.8°C	2088	RESERVE
	MCA	32°F / 0°C	2610	MINUTES AT 25A
				1624
CAPACITY	20 HR RATE	820		
		CAP / AH	CURRENT / AMPS	
CAPACITY AT THE 100 HOUR RATE	1.265 SP. GR.	1156	11.6	
CAPACITY AT THE 72 HOUR RATE	1.265 SP. GR.	1091	15.1	
CAPACITY AT THE 50 HOUR RATE	1.265 SP. GR.	1009	20.2	
CAPACITY AT THE 24 HOUR RATE	1.265 SP. GR.	853	35.5	
CAPACITY AT THE 20 HOUR RATE	1.265 SP. GR.	820	41	
CAPACITY AT THE 15 HOUR RATE	1.265 SP. GR.	763	51	
CAPACITY AT THE 12 HOUR RATE	1.265 SP. GR.	713	59	
CAPACITY AT THE 10 HOUR RATE	1.265 SP. GR.	681	68	
CAPACITY AT THE 8 HOUR RATE	1.265 SP. GR.	640	80	
CAPACITY AT THE 6 HOUR RATE	1.265 SP. GR.	582	97	
CAPACITY AT THE 5 HOUR RATE	1.265 SP. GR.	549	110	
CAPACITY AT THE 4 HOUR RATE	1.265 SP. GR.	508	127	
CAPACITY AT THE 3 HOUR RATE	1.265 SP. GR.	394	131	
CAPACITY AT THE 2 HOUR RATE	1.265 SP. GR.	394	197	
CAPACITY AT THE 1 HOUR RATE	1.265 SP. GR.	279	279	



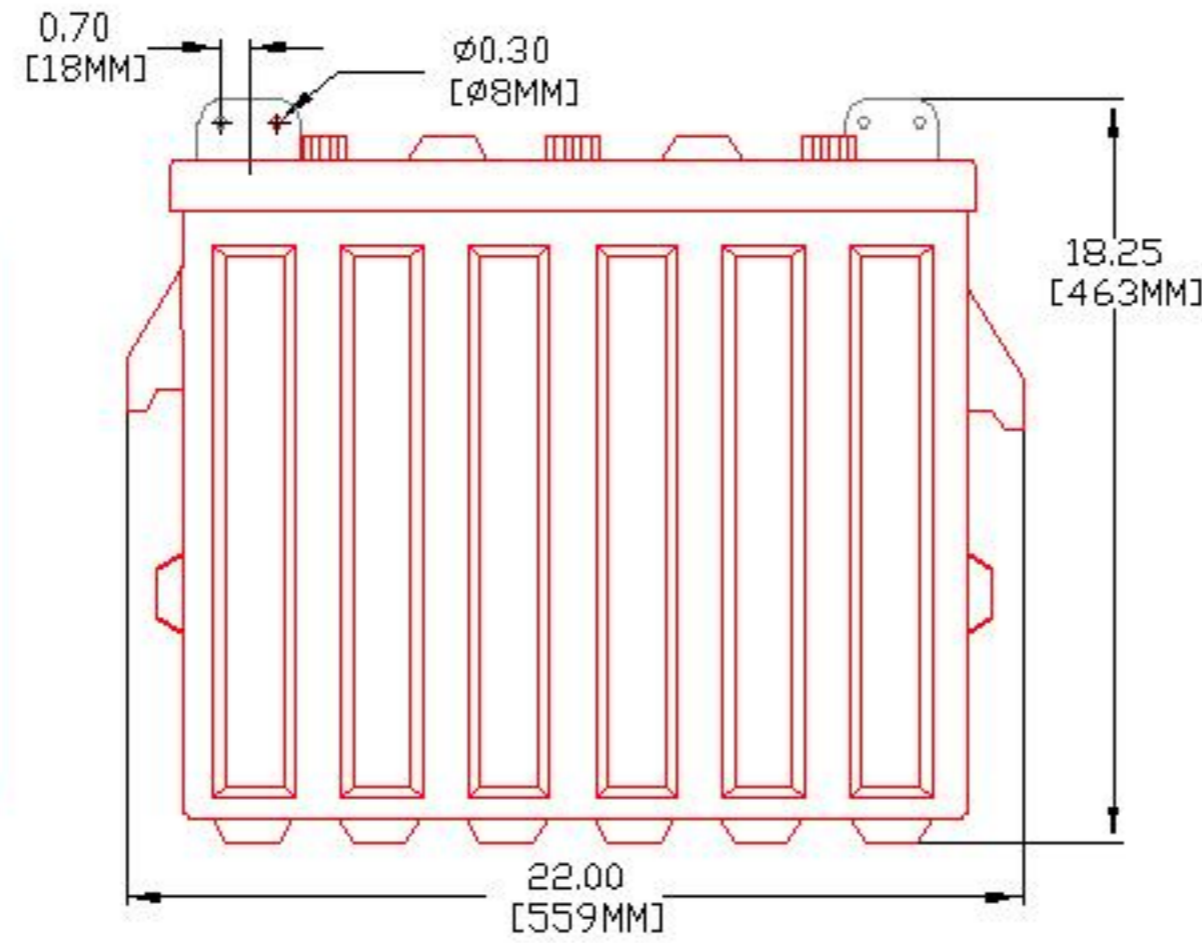
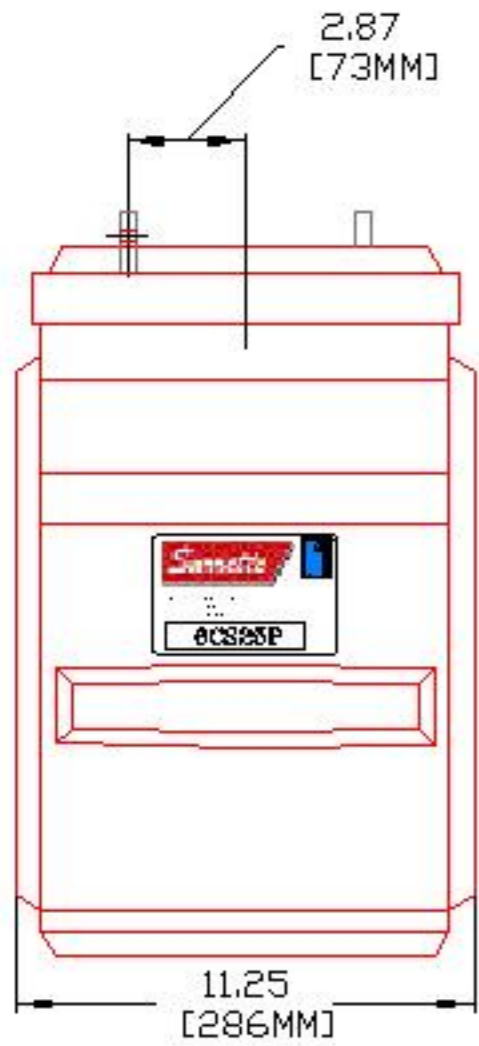
SURRETTE BATTERY CO. LTD.



PART NUMBER: 6-CS-25P
 WEIGHT WET: 318 LB / 144 KG
 WEIGHT DRY: 254 LB / 115 KG
 CAPACITY: 820 AH 20 HR
 1,156 AH 100 HR
 VOLTAGE: 6 V
 OVERALL DIMENSIONS: 22 X 11 1/4 X 18 1/4"
 MAX HEIGHT WITH OPTIONAL HYDROCAPS: 18 5/8" - 473 MM



MAX HEIGHT WITH OPTIONAL HYDROCAPS: 18 5/8" - 473 MM



Surrette	
BATTERY COMPANY LIMITED SPRUECHILL / NOVA SCOTIA / CANADA PRODUCT OF CANADA	
TITLE 6CS25P	
DESCRIPTION 6V / 3 CELL 25 PLATE (CS) DEEP CYCLE 500/5000 SERIES	
CONTACT INFO: WEB: WWW.SURRETTE.COM E-MAIL: SALES@SURRETTE.COM PHONE: 1-800-681-9914	
SCALE:	1" = 6" 1" = 4" JPEG 8.5" X 11" 11" X 17" NOT TO SCALE
Drawn by: S. WILES	Approved By: D. SURRETTE
DATE: 14-JUN-00	REVISION: 2.1
DRAWING NO: DWG 007, BD6CS25P	