



# DEEP CYCLE-SOLAR SERIES 4000

**BATTERY TYPE** VOLTS 6 **6 HHG 31PS**

**DIMENSIONS**

LENGTH	527 MM	20 3/4	INCHES
WIDTH	203 MM	8	INCHES
HEIGHT	302 MM	11 7/8	INCHES

<b>WEIGHT DRY</b>	44 KG	96	LBS.
<b>WEIGHT WET</b>	57 KG	125	LBS.

**CONTAINER CONSTRUCTION**

INNER CONTAINER	POLYPROPYLENE
INNER COVER	POLYPROPYLENE - HEAT SEALED TO INNER CONTAINER
OUTER CONTAINER	HIGH DENSITY POLYETHYLENE
OUTER COVER	HIGH DENSITY POLYETHYLENE SNAP FIT TO OUTER CONTAINER
HANDLES	MOLDED

**PLATES PER CELL** 31

**ELECTROLYTE RESERVE** ABOVE PLATES 70 MM 2.75 INCHES

**DESIGN CRITREA** 7 YEAR WARRANTY 1300 CYCLES 10 YEAR LIFE

**POSITIVE PLATE DIMENSION**

HEIGHT	140 MM	5.500	INCHES
WIDTH	143 MM	5.625	INCHES
THICKNESS	3.43 MM	0.135	INCHES

**NEGATIVE PLATE DIMENSION**

HEIGHT	140 MM	5.500	INCHES
WIDTH	143 MM	5.625	INCHES
THICKNESS	2.24 MM	0.088	INCHES

**SEPARATOR** SEPARATOR THICKNESS 0.081 INCH  
**INSULATION** 0.020" GLASS MAT

**TERMINALS** FLAG WITH STAINLESS STEEL NUTS AND BOLTS

<b>COLD CRANK</b> CCA	0°F / -17.8°C	1444	<b>RESERVE</b>	696
MCA	32°F / 0°C	1805	<b>MINUTES AT 25A</b>	

**CAPACITY** 20 HR RATE 344

		CAP / AH	CURRENT / AMPS
CAPACITY AT THE 100 HOUR RATE	1.265 SP. GR.	458	4.58
CAPACITY AT THE 72 HOUR RATE	1.265 SP. GR.	433	6.02
CAPACITY AT THE 50 HOUR RATE	1.265 SP. GR.	409	8.19
CAPACITY AT THE 24 HOUR RATE	1.265 SP. GR.	354	14.8
<b>CAPACITY AT THE 20 HOUR RATE</b>	<b>1.265 SP. GR.</b>	<b>344</b>	<b>17.2</b>
CAPACITY AT THE 15 HOUR RATE	1.265 SP. GR.	323	21.6
CAPACITY AT THE 12 HOUR RATE	1.265 SP. GR.	306	25.5
CAPACITY AT THE 10 HOUR RATE	1.265 SP. GR.	292	29.2
CAPACITY AT THE 8 HOUR RATE	1.265 SP. GR.	275	34.4
CAPACITY AT THE 6 HOUR RATE	1.265 SP. GR.	255	42.4
CAPACITY AT THE 5 HOUR RATE	1.265 SP. GR.	241	48
CAPACITY AT THE 4 HOUR RATE	1.265 SP. GR.	224	56
CAPACITY AT THE 3 HOUR RATE	1.265 SP. GR.	203	68
CAPACITY AT THE 2 HOUR RATE	1.265 SP. GR.	175	88
CAPACITY AT THE 1 HOUR RATE	1.265 SP. GR.	124	124



PART NUMBER: 6-HHG-31P

WEIGHT WET: 125 LB / 57 KG

WEIGHT DRY: 96 LB / 44 KG

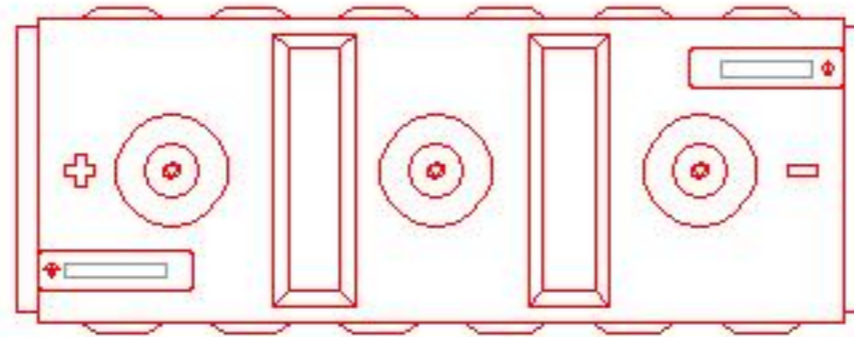
CAPACITY: 344 AH 20 HR

CCA @ 0°F / -17.8 °C: 1,445 A

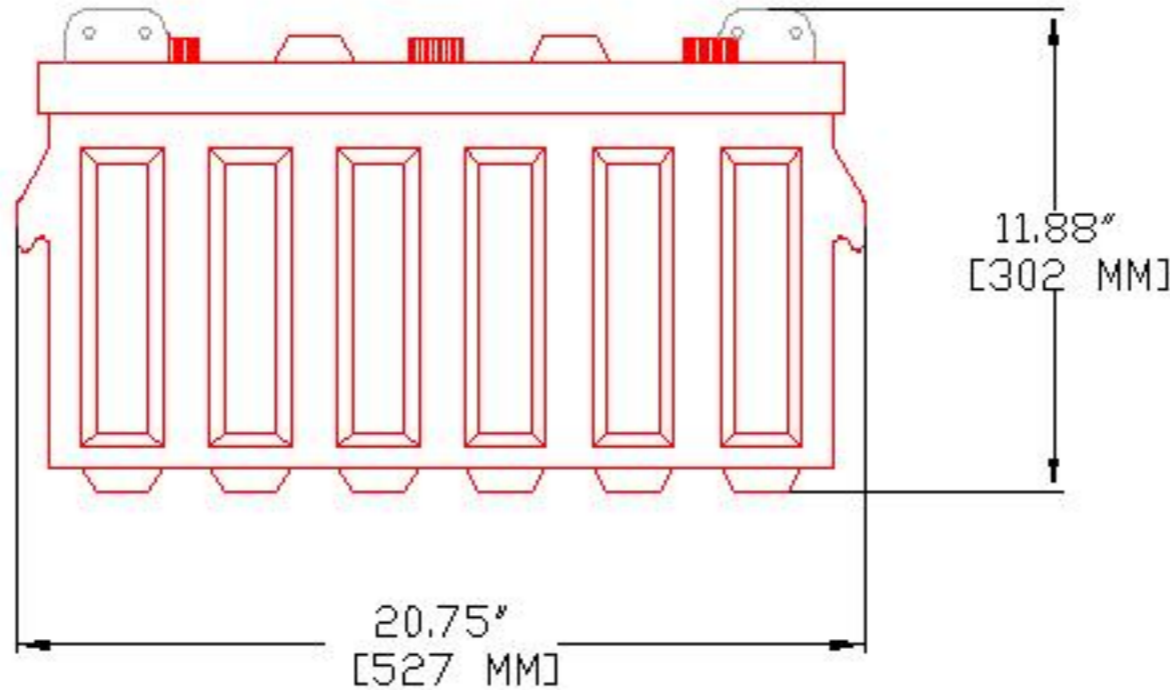
CCA @ 32°F / 0 °C: 1,806 A

VOLTAGE: 6 V

OVERALL DIMENSIONS: 20 3/4" x 8" x 11 7/8"



MAX HEIGHT WITH OPTIONAL HYDROCAPS: 12.43" / 316 MM



<b>Surrette</b>	
BATTERY COMPANY LIMITED SPRINGHILL / NOVA SCOTIA / CANADA PRODUCT OF CANADA	
TITLE: <b>6HHG31P</b>	
DESCRIPTION: 6V DEEP CYCLE 400/4000 SERIES	
CONTACT INFO: WEB: WWW.SURRETTE.COM E-MAIL: SALES@SURRETTE.COM PHONE: 1-800-681-9914	
SCALE: 1" = 6" 8.5" X 11"    1" = 4" 11" X 17"    JPEG NOT TO SCALE	
Drawn by: S. WILES	Approved By: D. SURRETTE
DATE: 20-Feb-01	REVISION: 1.1
DRAWING NO.: DWG 032, BD6HHG31P	