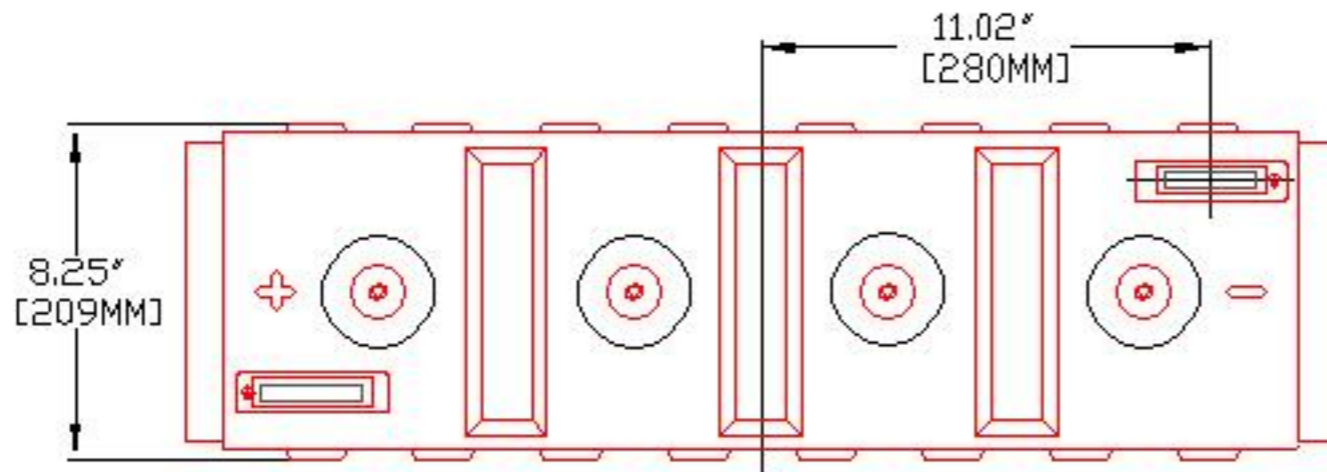




# DEEP CYCLE-SOLAR SERIES 5000

<b>BATTERY TYPE</b>	<b>VOLTS</b>	<b>8</b>	<b>8 CS 17PS</b>	
<b>DIMENSIONS</b>				
LENGTH	718 MM	28 1/4	INCHES	
WIDTH	210 MM	8 1/4	INCHES	
HEIGHT	464 MM	18 1/4	INCHES	
<b>WEIGHT DRY</b>	108 KG	238	LBS.	
<b>WEIGHT WET</b>	134 KG	294	LBS.	
<b>CONTAINER CONSTRUCTION</b>				
INNER CONTAINER	POLYPROPYLENE			
INNER COVER	POLYPROPYLENE - HEAT SEALED TO INNER CONTAINER			
OUTER CONTAINER	HIGH DENSITY POLYETHYLENE			
OUTER COVER	HIGH DENSITY POLYETHYLENE SNAP FIT TO OUTER CONTAINER			
HANDLES	MOLDED			
<b>PLATES PER CELL</b>	17			
<b>ELECTROLYTE RESERVE</b>	ABOVE PLATES	95 MM	3.75	INCHES
<b>DESIGN CRITREA</b>	10 YEAR WARRANTY	3300 CYCLES	15	YEAR LIFE
<b>POSITIVE PLATE DIMENSION</b>				
HEIGHT	273 MM	10.75	INCHES	
WIDTH	143 MM	5.625	INCHES	
THICKNESS	6.73 MM	0.265	INCHES	
<b>NEGATIVE PLATE DIMENSION</b>				
HEIGHT	273 MM	10.75	INCHES	
WIDTH	143 MM	5.625	INCHES	
THICKNESS	4.70 MM	0.185	INCHES	
<b>SEPARATOR INSULATION</b>	SEPARATOR THICKNESS	0.105 INCH		
	0.020" GLASS MAT			
<b>TERMINALS</b>	FLAG WITH STAINLESS STEEL NUTS AND BOLTS			
<b>COLD CRANK</b>	CCA	0°F / -17.8°C	1351	<b>RESERVE</b>
	MCA	32°F / 0°C	1689	<b>MINUTES AT 25A</b>
				1083
<b>CAPACITY</b>	20 HR RATE	546		
		<b>CAP / AH</b>	<b>CURRENT / AMPS</b>	
CAPACITY AT THE 100 HOUR RATE	1.265 SP. GR.	770	7.70	
CAPACITY AT THE 72 HOUR RATE	1.265 SP. GR.	726	10.09	
CAPACITY AT THE 50 HOUR RATE	1.265 SP. GR.	672	13.43	
CAPACITY AT THE 24 HOUR RATE	1.265 SP. GR.	568	23.7	
<b>CAPACITY AT THE 20 HOUR RATE</b>	<b>1.265 SP. GR.</b>	<b>546</b>	<b>27.3</b>	
CAPACITY AT THE 15 HOUR RATE	1.265 SP. GR.	508	33.9	
CAPACITY AT THE 12 HOUR RATE	1.265 SP. GR.	475	39.6	
CAPACITY AT THE 10 HOUR RATE	1.265 SP. GR.	453	45.3	
CAPACITY AT THE 8 HOUR RATE	1.265 SP. GR.	426	53.2	
CAPACITY AT THE 6 HOUR RATE	1.265 SP. GR.	388	64.6	
CAPACITY AT THE 5 HOUR RATE	1.265 SP. GR.	366	73	
CAPACITY AT THE 4 HOUR RATE	1.265 SP. GR.	339	85	
CAPACITY AT THE 3 HOUR RATE	1.265 SP. GR.	306	102	
CAPACITY AT THE 2 HOUR RATE	1.265 SP. GR.	262	131	
CAPACITY AT THE 1 HOUR RATE	1.265 SP. GR.	186	186	



PART NUMBER: 8-CS-17P

WEIGHT WET: 295 LB / 134 KG

WEIGHT DRY: 238 LB / 108 KG

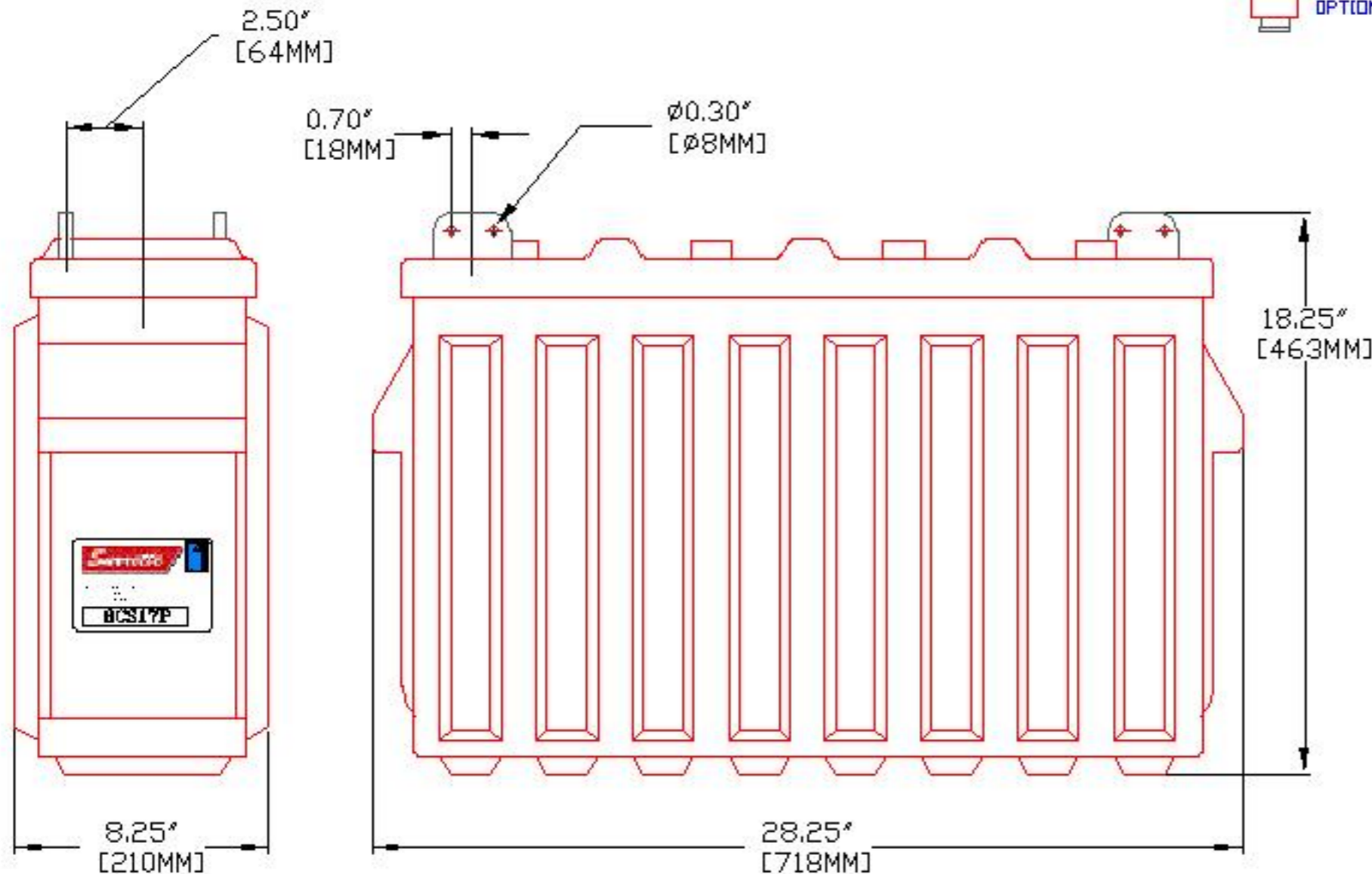
CAPACITY: 546 AH 20 HR  
770 AH 100 HR

VOLTAGE: 8 V

OVERALL DIMENSIONS: 28 1/4" X 8 1/4" X 18 1/4"



NAX HEIGHT WITH OPTIONAL HYDROCAPS: 18.63" / 473.2 MM



BATTERY COMPANY LIMITED  
SPRINGHILL / NOVA SCOTIA / CANADA  
PRODUCT OF CANADA

TITLE:

8CS17P

DESCRIPTION:

8V / 4 CELL 17 PLATE (CS) DEEP  
CYCLE 500/5000 SERIES

CONTACT INFO:

WEB: WWW.SURRETTE.COM  
E-MAIL: SALES@SURRETTE.COM  
PHONE: 1-800-681-9914

SCALE:

1" = 6" 1" = 4" JPEG  
8.5" X 11" 11" X 17" NOT TO SCALE

Drawn by:

S. WILES

Approved By:

D. SURRETTE

DATE:

16-Feb-01

REVISION: 1.1

DRAWING NO.:

DWG 036, BD8CS17P