



# DEEP CYCLE-SOLAR SERIES 4000

**BATTERY TYPE** VOLTS 8 **8 HHG 31PS**

**DIMENSIONS**

|        |        |        |        |
|--------|--------|--------|--------|
| LENGTH | 686 MM | 27     | INCHES |
| WIDTH  | 203 MM | 8      | INCHES |
| HEIGHT | 302 MM | 11 7/8 | INCHES |

|                   |       |     |      |
|-------------------|-------|-----|------|
| <b>WEIGHT DRY</b> | 58 KG | 128 | LBS. |
| <b>WEIGHT WET</b> | 76 KG | 167 | LBS. |

**CONTAINER CONSTRUCTION**

|                 |   |
|-----------------|---|
| INNER CONTAINER | POLYPROPYLENE   |
| INNER COVER     | POLYPROPYLENE - HEAT SEALED TO INNER CONTAINER        |
| OUTER CONTAINER | HIGH DENSITY POLYETHYLENE                             |
| OUTER COVER     | HIGH DENSITY POLYETHYLENE SNAP FIT TO OUTER CONTAINER |
| HANDLES         | MOLDED  |

**PLATES PER CELL** 31

**ELECTROLYTE RESERVE** ABOVE PLATES 70 MM 2.75 INCHES

**DESIGN CRITREA** 7 YEAR WARRANTY 1300 CYCLES 10 YEAR LIFE

**POSITIVE PLATE DIMENSION**

|           |         |       |        |
|-----------|---------|-------|--------|
| HEIGHT    | 140 MM  | 5.500 | INCHES |
| WIDTH     | 143 MM  | 5.625 | INCHES |
| THICKNESS | 3.43 MM | 0.135 | INCHES |

**NEGATIVE PLATE DIMENSION**

|           |         |       |        |
|-----------|---------|-------|--------|
| HEIGHT    | 140 MM  | 5.500 | INCHES |
| WIDTH     | 137 MM  | 5.375 | INCHES |
| THICKNESS | 2.24 MM | 0.088 | INCHES |

**SEPARATOR** SEPARATOR THICKNESS 0.081 INCH  
**INSULATION** 0.020" GLASS MAT

**TERMINALS** FLAG WITH STAINLESS STEEL NUTS AND BOLTS

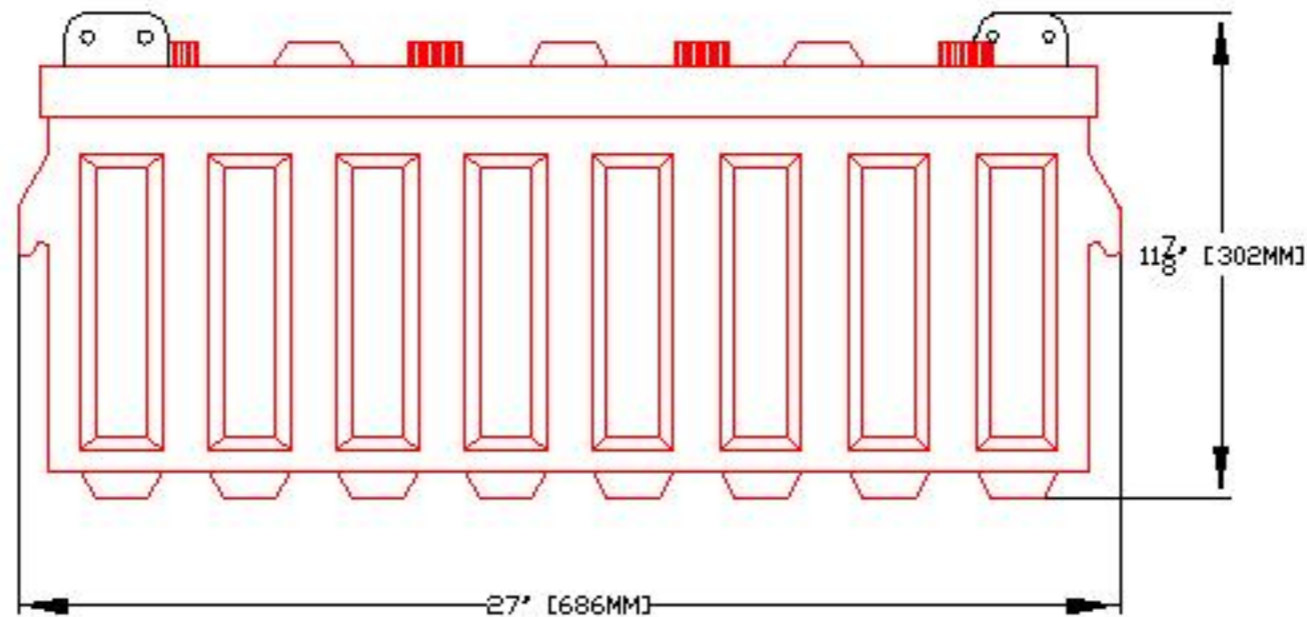
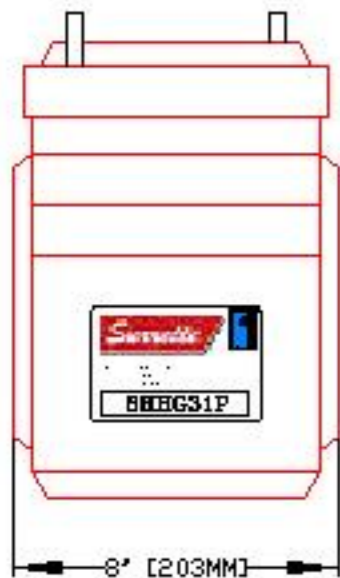
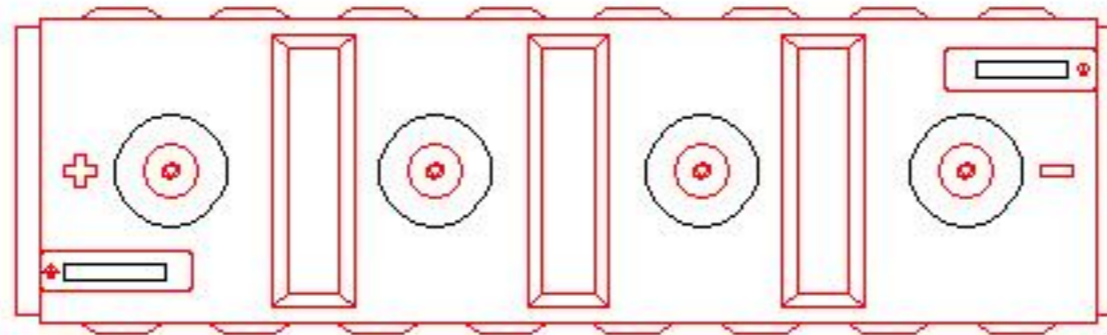
|                       |               |      |                       |     |
|-----------------------|---------------|------|-----------------------|-----|
| <b>COLD CRANK</b> CCA | 0°F / -17.8°C | 1444 | <b>RESERVE</b>        | 696 |
| MCA                   | 32°F / 0°C    | 1805 | <b>MINUTES AT 25A</b> |     |

**CAPACITY** 20 HR RATE 344

|                                     |                      | CAP / AH   | CURRENT / AMPS |
|-------------------------------------|----------------------|------------|----------------|
| CAPACITY AT THE 100 HOUR RATE       | 1.265 SP. GR.        | 458        | 4.58           |
| CAPACITY AT THE 72 HOUR RATE        | 1.265 SP. GR.        | 433        | 6.02           |
| CAPACITY AT THE 50 HOUR RATE        | 1.265 SP. GR.        | 409        | 8.19           |
| CAPACITY AT THE 24 HOUR RATE        | 1.265 SP. GR.        | 354        | 14.8           |
| <b>CAPACITY AT THE 20 HOUR RATE</b> | <b>1.265 SP. GR.</b> | <b>344</b> | <b>17.2</b>    |
| CAPACITY AT THE 15 HOUR RATE        | 1.265 SP. GR.        | 323        | 21.6           |
| CAPACITY AT THE 12 HOUR RATE        | 1.265 SP. GR.        | 306        | 25.5           |
| CAPACITY AT THE 10 HOUR RATE        | 1.265 SP. GR.        | 292        | 29.2           |
| CAPACITY AT THE 8 HOUR RATE         | 1.265 SP. GR.        | 275        | 34.4           |
| CAPACITY AT THE 6 HOUR RATE         | 1.265 SP. GR.        | 255        | 42.4           |
| CAPACITY AT THE 5 HOUR RATE         | 1.265 SP. GR.        | 241        | 48             |
| CAPACITY AT THE 4 HOUR RATE         | 1.265 SP. GR.        | 224        | 56             |
| CAPACITY AT THE 3 HOUR RATE         | 1.265 SP. GR.        | 203        | 68             |
| CAPACITY AT THE 2 HOUR RATE         | 1.265 SP. GR.        | 175        | 88             |
| CAPACITY AT THE 1 HOUR RATE         | 1.265 SP. GR.        | 124        | 124            |



PART NUMBER: 8-HHG-31P  
 WEIGHT WET: 167 LB / 76 KG  
 WEIGHT DRY: 128 LB / 58 KG  
 CAPACITY: 344 AH 20 HR  
 CCA @ 0°F / -17.8 °C: 1,445 A  
 CCA @ 32°F / 0 °C: 1,806 A  
 VOLTAGE: 8 V  
 OVERALL DIMENSIONS: 27x 8x 11 7/8"  
 MAX HEIGHT WITH OPTIONAL HYDROCAPS: 12.38" / 316 MM



|   |                             |
|---|-----------------------------|
| <b>Surrette</b>   |                             |
| BATTERY COMPANY LIMITED<br>SPRUEHILL / NOVA SCOTIA / CANADA<br>PRODUCT OF CANADA              |                             |
| TITLE:<br><b>8HHG31P</b>  |                             |
| DESCRIPTION:<br>8V DEEP CYCLE 400/4000 SERIES   |                             |
| CONTACT INFO:<br>WEB: WWW.SURRETTE.COM<br>E-MAIL: SALES@SURRETTE.COM<br>PHONE: 1-800-681-9914 |                             |
| SCALE: 1" = 6" 1" = 4" JPEG<br>6.5" X 11" 11" X 17" NOT TO SCALE                              |                             |
| Drawn by:<br>S. WILES   | Approved By:<br>D. SURRETTE |
| DATE: 20-Feb-01 REVISION 1.1  |                             |
| DRAWING NO.: DWG 011, BD8HHG31P   |                             |